

High-powered,
low-cost performance



24 Port

10/100 Mbps Fast Ethernet Switch

JFS524

Need a quantum leap in office network capability? **NETGEAR** delivers a cost-effective solution – the JFS524. This unmanaged 10/100 Fast Ethernet switch provides expanded connectivity for small office networks so users no longer have to compete with each other for bandwidth. All of the essential features – automatic speed and full/half duplex sensing, 200 Mbps throughput per port, Auto Uplink™ – are included, but at an economical price that a value-conscious business owner can't ignore.

FRUGAL

Twenty-four ports of speed and capacity at a modest price, with no compromising on quality – that's what you can expect from NETGEAR's hardworking JFS524.

SKILLFUL

Switched 10/100 ports provide private bandwidth for PCs, servers, or hubs, and support 200 Mbps of throughput. Each port delivers 200 Mbps of network speed in full-duplex mode.

ALERT

Ever-vigilant, the JFS524 begins to operate as soon as it's powered on – with no configuration required. All 24 ports deliver automatic speed and full/half duplex sensing, plus Auto Uplink™ which adjusts for straight-through or crossover cables to make the right link.

OBLIGING

This rugged metal unit is conveniently compact for an uncluttered desktop or easy rack mounting. And it lets you easily intermix 10 and 100 Mbps devices within your unmanaged network.



Help is there when you need it!

NETGEAR provides free, 7x24

telephone and e-mail technical

support in English, with selected

local language support during

office hours.

www.NETGEAR.com

NETGEAR®

NETGEAR Inc.
 4500 Great America Parkway
 Santa Clara, CA 95054
 USA

Phone: 1-888-NETGEAR
 E-mail: support@NETGEAR.com
 www.NETGEAR.com

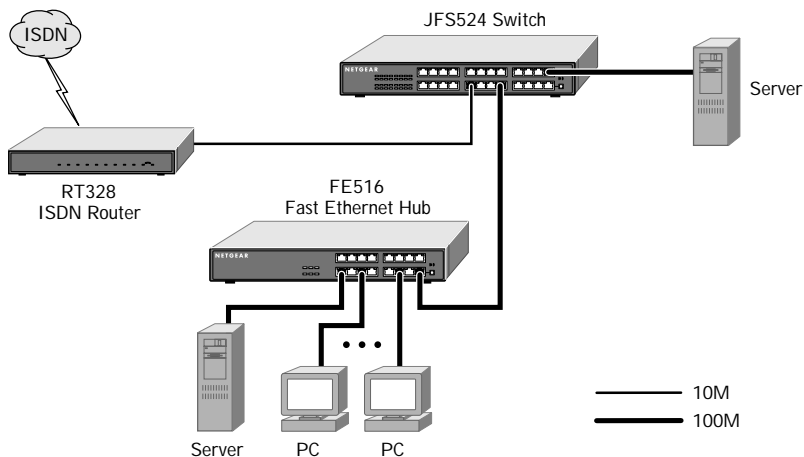
In-Country Phone Support

(24x7 phone support in English, local language support during office hours.)

Australia	1800-787-638	Korea	00308-11-0319
Austria	00800-06384327	Netherlands	0800-023-0981
	(00800-0-NETGEAR)	New Zealand	00800-1233-4566
Denmark	808-82179	Norway	800-12041
Canada	1-888-NETGEAR	Singapore	001-800-1233-4566
Finland	0800-111-036	Sweden	0200-298-298
France	0800-77-17-53	Switzerland	00800-0638-4327
Germany	00800-06384327		(00800-0-NETGEAR)
	(00800-0-NETGEAR)	United Kingdom	020-7216-0014
Hong Kong	001-800-1233-4566	United States	1-888-NETGEAR
Japan	0120-66-5402	All Other Countries	+1 801-236-8499

NETGEAR® is a trademark of NETGEAR, Inc. Windows® is a registered trademark of Microsoft Corporation. Other brand and product names are trademarks or registered trademarks of their respective holders. Information is subject to change without notice. All rights reserved.

March 2002



TECHNICAL SPECIFICATIONS

Network Ports

16 10 or 100 Mbps RJ-45 ports

Performance (64 byte packets)

Store-and-forward packet switching

Forward rate (10 Mbps)

14,800 packet per sec.

Forward rate (100 Mbps)

148,000 packet per sec.

Latency (10 to 100 Mbps) 20 usec max

MAC addresses 4,000

Queue buffer KBytes 320

Weight

2.0 kg (4.4 lb)

Dimensions

W 330 mm (13")

D 202 mm (8")

H 43 mm (1.7")

AC Power

15W maximum

Auto-sensing 100 to 240V, 50/60 Hz

Localized plug for North America, Japan, UK, Europe, Australia

Standards Compliance

IEEE 802.3i 10BASE-T Ethernet

IEEE 802.3u 100BASE-TX Fast Ethernet

Compatible with all major network software

Status LEDs

Unit: power

Per network port: 10 or 100 Mbps operations, Rx/Tx and collision, link, half/full duplex

Electromagnetic Emissions

CE mark, commercial

FCC Part 15 Class A

EN 55 022 (CISPR 22), Class A

VCCI Class A

C-Tick

MIC

Environmental Specifications

Operating temperature: 0 to 40° C

Operating humidity: 80% max. relative humidity, noncondensing

Safety Agency Approvals

UL listed (UL 1950)/CUL

TUV licensed (EN 60 950)

Warranty

2 years

PACKAGE CONTENTS

- Switch unit
- Power cord
- Rack-mount kit
- User guide
- Warranty card
- Support card



www.NETGEAR.com

NETGEAR®