

ANT24-0700



Extend Your Wireless Signal in All Directions

- **7dBi Omni-Directional Antenna for Extended Wireless Signal Range**
- **Powerful Signal Reception in All Directions**
- **Works with Virtually Any 802.11b/g Compliant Devices with a SMA or TNC Connector**
- **Magnetic Base¹ with Extension Cable and Mounting Kit for Flexible Placement**

2.4GHz Omni-Directional 7dBi Indoor Antenna

D-Link, an industry leader in networking, introduces the ANT24-0700 Omni-Directional 7dBi Indoor Antenna designed to provide extended coverage for an existing 802.11b/g wireless network.

The omni-directional design of the ANT24-0700 offers dramatically increased wireless signal coverage in all directions. With 360° of better signal reception, this high-gain antenna will also improve data throughput at further distances.

The D-Link ANT24-0700 connects to a variety of wireless routers and access points on the market today. Whether the wireless router or access point has a SMA or TNC

connector, the ANT24-0700 comes with a RP-SMA to RP-TNC conversion adapter to accommodate either connector type.

For maximum flexibility in placement, the ANT24-0700 comes with a magnetic base unit¹ with 1.5m extension cable, and a mounting kit. The magnetic base unit has an incredible strong hold onto any metal surface.

Avoid the cost and complexity of adding additional access points or repeaters when you can easily use the ANT24-0700. Enjoy the benefits of wireless connectivity at greater distances throughout your home or small office.

¹ Warning: The base unit is magnetic. Keep magnetic base at least 6 inches away from electronic devices; computers, TV's, video equipment, and tapes. Exposure to magnetic base may cause device or data on disks to become corrupted.

2.4GHz Omni-Directional 7dBi Indoor Antenna

ANT24-0700

SPECIFICATIONS

Frequency Range

- 2.4GHz – 2.5GHz

Gain

- 7dBi

Voltage Standing Wave Ratio (VSWR)

- 1.92 : 1 Max

Polarization

- Linear, Vertical

Half Power Beam Width (HPBW)

- Horizontal - 360 degree
- Vertical - 24 degree

Impedance

- 50 Ω (Ohms) Nominal

Connector

- Reverse SMA
- RP-SMA to TNC Adapter

Cable

- 1.5m RG-178 50 Ω (Ohms)

Operating Temperature

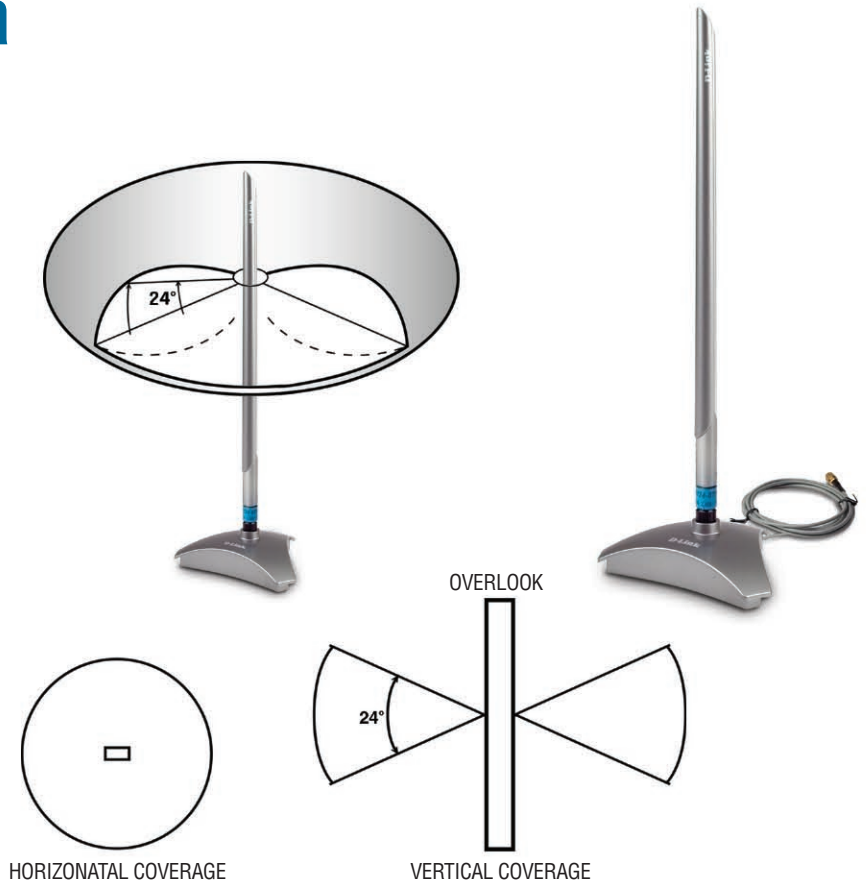
- -4° F to 149° F (-20° C to +65° C)

Storage Temperature

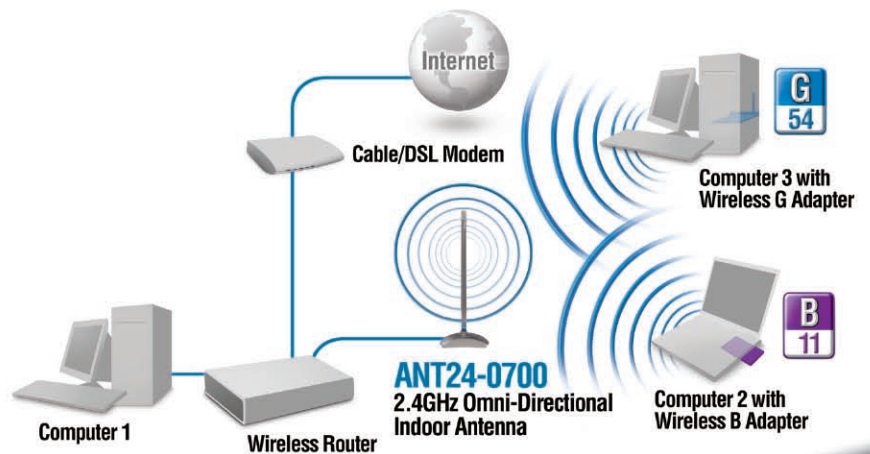
- -22° F to 167° F (-30° C to +75° C)

Warranty

- 1-Year



Add the ANT24-0700 to your 802.11b/g wireless router or access point for additional wireless coverage in all directions.



D-Link Systems, Inc. 17595 Mt. Herrmann Street Fountain Valley CA 92708 www.dlink.com ©2005 D-Link Corporation/D-Link Systems, Inc. All rights reserved. D-Link, the D-Link logo, are registered trademarks of D-Link Corporation or its subsidiaries in the United States and other countries. Other trademarks are the property of their respective owners. All references to speed are for comparison purposes only. Product specifications, size and shape are subject to change without notice, and actual product appearance may differ from that depicted herein. Visit www.dlink.com for more details.

D-Link[®]
Building Networks for People